

### DESCRIPTION

Solenoid valve 2 way normally closed with assisted lift diaphragm

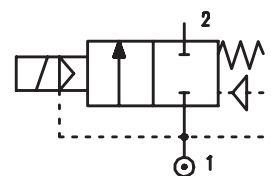
### CONSTRUCTION

Body and cover	Brass
Armature tube	Stainless steel
Plunger and core	Stainless steel
Springs	Stainless steel
Seal material	NBR
	FPM
	EPDM

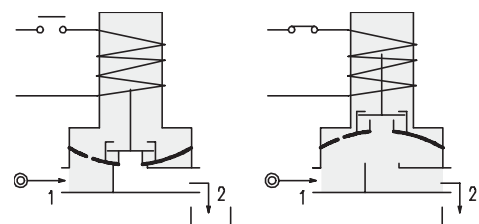


### FEATURES

Maximum allowable pressure 25 bar  
 Maximum fluid viscosity 25cSt (mm<sup>2</sup>/s)  
 Ambient temperature : with class F coil -10°C +55°C  
 with class H coil -10°C +80°C  
 Preferred mounting position with vertical coil above



**OPTIONS :** Electroless nickel plating



4

CODE ① ②	Connection G ISO 228	Orifice mm	KV m <sup>3</sup> /h	Differential pressure bar			Nominal power			Coil		Seal ①	Temp. range °C
				Min	Max		AC Inrush	VA Holding	DC Watt	Series	Width		
					AC	DC							
E108C.....12///.....	3/8"	12	2	0	10	-	20	15	-	2	30	NBR=B	-10 +90
E108D.....12///.....	1/2"	12	2.2	0	10	-	20	15	-	2	30		
E108C.....12///.....	3/8"	12	2	0	12	10	40	30	27	5	36		
E108D.....12///.....	1/2"	12	2.2	0	12	10	40	30	27	5	36	EPDM=E	<+140
E108E.....18///.....	3/4"	18	4.5	0	9	-	40	30	-	5	36		
E108F.....25///.....	1"	24	8.5	0	7	-	40	30	-	5	36	FPM=V	-10 +130
D108E.....18///.....	3/4"	18	4.5	0	-	9	-	-	27	5	36		
D108F.....25///.....	1"	24	8.5	0	-	8	-	-	27	5	36		

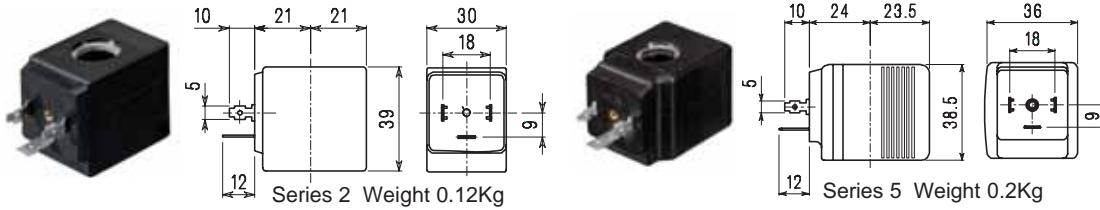
- ① Seal
- ② Coil

Example: E108FV25///52E FPM seal  
 Coil 230V 50-60Hz

COILS	Alternating Current ~50/60Hz Volt							Direct Current Volt			Electrical connection	Connectors
	12	24	48	110	220 230	240	380	12	24	48		
Series 2 Width 30 Code ②	20A	20B	20C	20D	20E	20F	20G	200	201	202	DIN 43650A	PG9 code 10349000
Series 5 Width 36 Code ②	52A	52B	52C	52D	52E	52F	52G	520	521	522	DIN 43650A	PG11 code 10349001

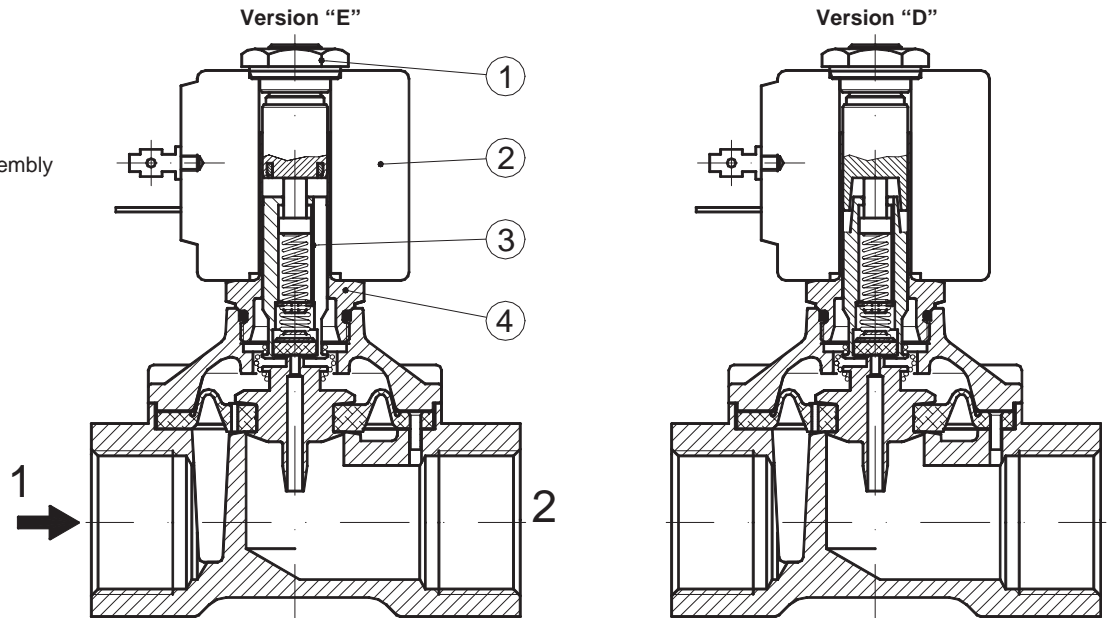
**DESCRIPTION**  
 Insulation class  
 Series 2=F Series 5=H  
 Voltage tolerance  
 AC +15% -10%  
 DC ± 10%  
 Protection class  
 IP65 with connector fitted  
 IP00 without connector  
 Continuous service ED100%

**OPTIONS**  
 Insulation class H (series 2)  
 Cable attached  
 Special coil voltages  
 Special coil powers

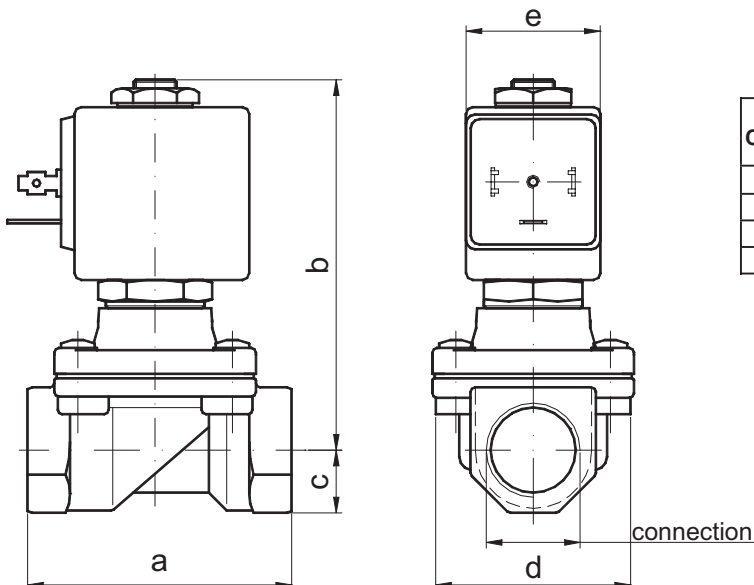


### SPARE PARTS LIST

1. Coil fixing nut
2. Coil
3. Plunger and diaphragm assembly
4. Armature tube with core



### OVERALL DIMENSION



CONNECTION	a	b	c	d	e with		Weight Kg	
					series 2	series 5	series 2	series 5
G3/8" Ø12	59	83	14	45	30	36	0.50	0.58
G1/2"	59	83	14	45	30	36	0.45	0.53
G3/4"	79	90	18	55	-	36	-	0.75
G1"	96	101	20	72	-	36	-	1.20