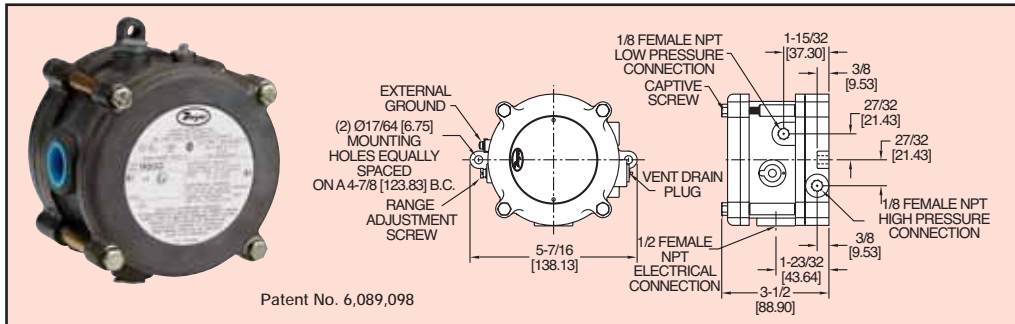




Series
1950G

Explosion-proof Differential Pressure Switch

Explosion-proof, Weatherproof, Compatible with Natural Gases



SPECIFICATIONS

Service: Air and compatible combustible gases.

Wetted Materials: Contact Factory.

Temperature Limits: 0 to 140°F (-17 to 60°C).

Note: Set point drift may occur with ambient temperature changes.

Pressure Limits: 45" w.c. (11.2 kPa) continuous; 10 psig (68.95 kPa) surge.

Enclosure Rating: IP64, NEMA 3, 7 and 9.

Switch Type: 1 Form C relay (SPDT).

Electrical Rating: 10A, 120/240 VAC, 28 VDC. Resistive 50mA, 125 VDC.

Power Requirements: 24 VDC ±10%. 120 or 240 VAC ±10% optional.

Electrical Connections: Internal terminal block.

Process Connections: 1/8" female NPT.

Mounting Orientation: Diaphragm in vertical position. Consult factory for other position orientations.

Set Point Adjustment: Screw type on top of housing.

Weight: 2 lb, 15.7 oz (1.35 kg).

Agency Approvals: CE, UL, CSA, FM, ATEX.

The Model 1950G Explosion-Proof Switch combines the best features of the popular Dwyer® Series 1950 Pressure Switch with the benefit of natural gas compatibility. Units are rain-tight for outdoor installations, and are UL listed for use in Class I, Groups A, B, C, & D; Class II, Groups E, F, & G and Class III atmospheres, Directive 94/9/EC (ATEX) Compliant for **CE Ex** 11 2 G EExd IIB & Hydrogen T6 and CSA & FM approved for Class I, Div 1, Groups B, C, D; Class II, Div 1, Groups E, F, G and Class III atmospheres. The 1950G is very compact, about half the weight and bulk of equivalent conventional explosion-proof switches.

Easy access to the SPDT relay and power supply terminals is provided by removing the top plate of the aluminum housing. A supply voltage of 24 VDC, 120 or 240 VAC is required. A captive screw allows the cover to swing aside while remaining attached to the unit. Adjustment to the set point of the switch can be made without disassembly of the housing.

Model Number ¹	Range, Inches W.C.	Approximate Dead Band at	
		Min. Set Point	Max. Set Point
1950G-00-B-24-NA	.07 to .15	.04	.06
1950G-0-B-24-NA	.15 to .50	.06	.11
1950G-1-B-24-NA	.4 to 1.6	.11	.29
1950G-5-B-24-NA	1.4 to 5.5	.4	.9
1950G-10-B-24-NA	3 to 11	.9	1.8
1950G-20-B-24-NA	4 to 20	1.2	3.0

¹Note: For alternate supply voltages change 24 to 120 or 240. Example: 1950G-00-B-120. For ATEX approved models remove "-NA".

Stig Wahlström AB

Box 64 · 123 22 Farsta · Fax 08-605 81 74 · Tel 08-683 33 00

E-post: mailbox@wahlstrom.se Webbplats: www.wahlstrom.se