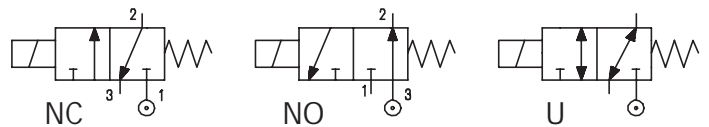


DESCRIPTION

Solenoid valve 3 way
 direct acting poppet type

CONSTRUCTION

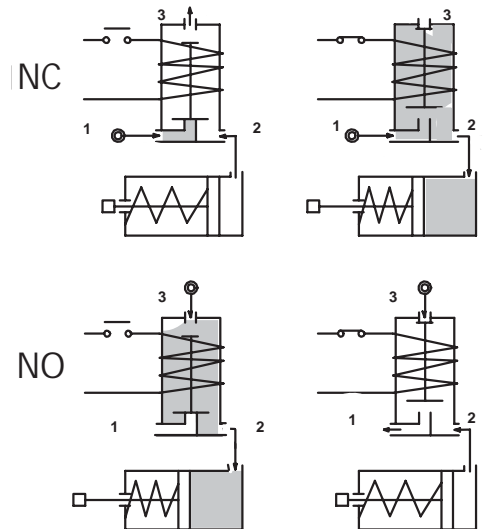
Body	Brass
Armature tube	Brass
Plunger and core	Stainless steel
Springs	Stainless steel
Seal material	NBR
	FPM
	EPDM



3

FEATURES

- Maximum allowable pressure : maximum differential pressure+10%
- Maximum fluid viscosity 25cSt (mm²/s)
- Ambient temperature : with class F coil -10°C +55°C
 with class H coil -10°C +80°C
- Universal mounting position



- OPTIONS :**
- Manual override
 - Stainless steel armature tube
 - Electroless nickel plating
 - Explosion proof coil according to ATEX - EExmII Series7
 - Exhaust port with hosetail connection

CODE ① ②	Connection G ISO 228	Orifice mm		KV m ³ /h	Differential pressure bar				Nominal power			Coil		Seal ①	Temp. range °C
		Inlet	Exh.		Min	Max		AC Inrush	VA Holding	DC Watt	Series	Width			
						AC	DC								
NC Normally closed															
E305A.....12///.....	1/8"	1.2	1.5	0.04	0	15	15	12	8	6.5	3	22	NBR=B	-10 +90	
E305A.....15///.....	1/8"	1.5	1.5	0.06	0	10	10	12	8	6.5	3	22			
E305A.....20///.....	1/8"	2	1.7	0.09	0	6	6	12	8	6.5	3	22			
NO Normally open															
E305A.....15/S/.....	1/8"	1.5	1.5	0.06	0	10	10	12	8	6.5	3	22	EPDM=E	<+140	
E305A.....17/S/.....	1/8"	1.7	2	0.07	0	6	6	12	8	6.5	3	22			
U Universal															
E305A.....15/G/.....	1/8"	1.5	1.5	0.06	0	6	6	12	8	6.5	3	22	FPM=V	-10 +130	

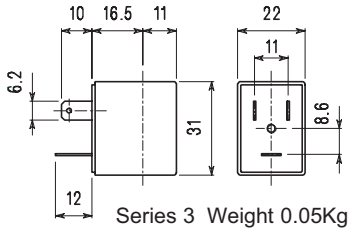
① Seal
 ② Coil

Example: E305AV15///30B FPM seal Coil 24V 50/60Hz NC
 E305AB15/S/301 NBR seal Coil 24V DC NO

COILS	Alternating Current ~50/60Hz Volt							Direct Current Volt			Electrical connection	Connectors
	12	24	48	110	220 230	240	380	12	24	48		
Series 3 Width 22 Code ②	30A	30B	30C	30D	30E	30F	30G	300	301	302	DIN 46244	PG9 code 10348000

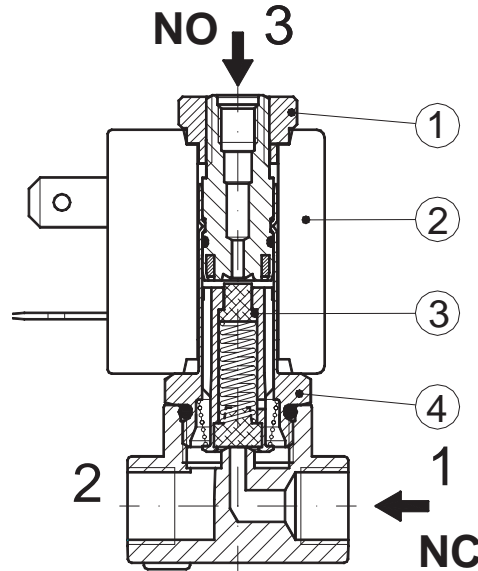
DESCRIPTION
 Class F insulation
 Voltage tolerance
 AC +15% -10%
 DC ± 10%
 Protection class
 IP65 with connector fitted
 IP00 without connector
 Continuous service ED100%

OPTIONS
 Class H insulation
 Cable attached
 Special coil voltages
 Special coil powers

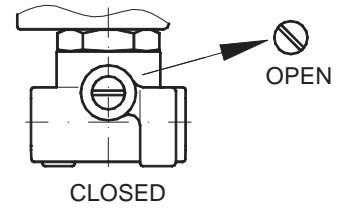


SPARE PARTS LIST

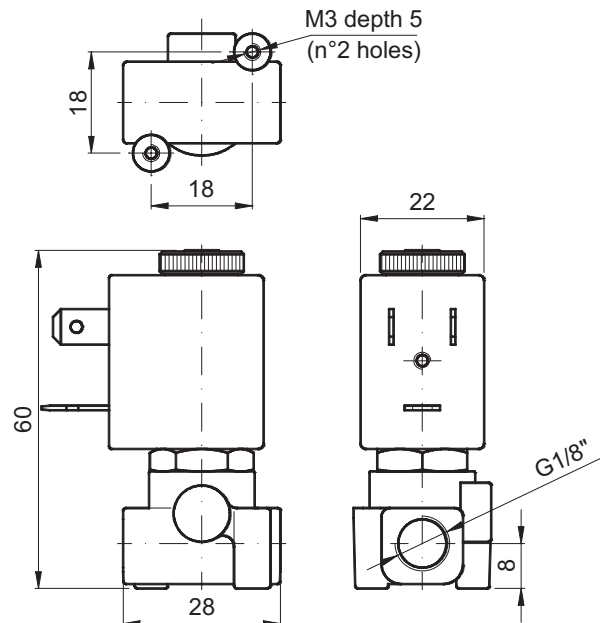
1. Coil fixing nut
2. Coil
3. Plunger
4. Armature tube with core



MANUAL OVERRIDE



OVERALL DIMENSION



Weight = 0.13 Kg