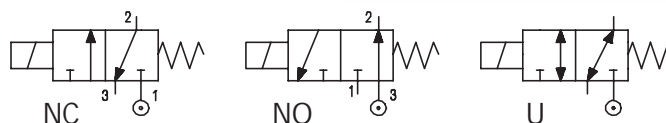


### DESCRIPTION

Solenoid valve 3 way  
 direct acting poppet type

### CONSTRUCTION

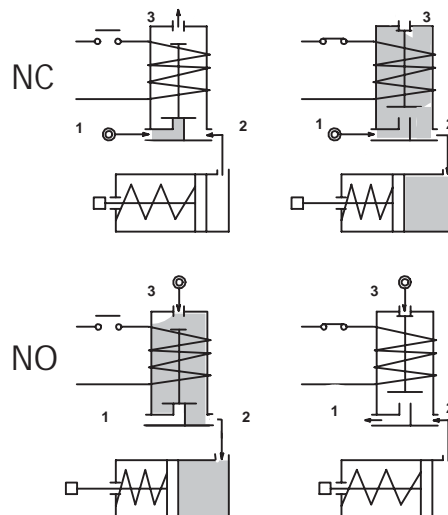
Body	Brass
Armature tube	Stainless steel
Plunger and core	Stainless steel
Springs	Stainless steel
Seal material	NBR
	FPM
	EPDM



**3**

### FEATURES

- Maximum allowable pressure : maximum differential pressure +10%
- Maximum fluid viscosity 25cSt (mm<sup>2</sup>/s)
- Ambient temperature : with class F coil -10°C +55°C  
 with class H coil -10°C +80°C
- Universal mounting position



- OPTIONS :**
- Manual override
  - Electroless nickel plating
  - Stainless steel seat

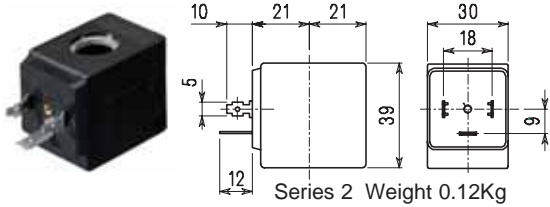
CODE ① ②	Connection G ISO 228	Orifice mm		KV m³/h	Differential pressure bar			Nominal power			Coil		Seal ①	Temp. range °C
		Inlet	Exh.		Min	Max		AC Inrush	VA Holding	DC Watt	Series	Width		
						AC	DC							
<b>NC Normally closed</b>														
E306A.....15///.....	1/8"	1.5	2.4	0.07	0	20	20	20	15	10	2	30	NBR=B EPDM=E FPM=V	-10 +90  <+140  -10 +130
E306A.....20///.....	1/8"	2	2.4	0.11	0	13	13	20	15	10	2	30		
E306A.....25///.....	1/8"	2.5	2.4	0.16	0	10	10	20	15	10	2	30		
E306B.....15///.....	1/4"	1.5	2.4	0.07	0	20	20	20	15	10	2	30		
E306B.....20///.....	1/4"	2	2.4	0.11	0	13	13	20	15	10	2	30		
E306B.....25///.....	1/4"	2.5	2.4	0.16	0	10	10	20	15	10	2	30		
<b>NO Normally open</b>														
E306B.....24/S/.....	1/4"	2.4	2.5	0.16	0	9	9	20	15	10	2	30	FPM=V	-10 +130
E306B.....29/S/.....	1/4"	2.9	2.5	0.20	0	6.5	6.5	20	15	10	2	30		
<b>U Universal</b>														
E306B.....25/G/.....	1/4"	2.5	2.4	0.16	0	5	4	20	15	10	2	30		

① Seal                      Example: E306BV15///20B FPM seal    Coil 24V 50/60Hz    NC  
 ② Coil                      E306BB24/S/201 NBR seal    Coil 24V DC    NO

COILS	Alternating Current ~50/60Hz Volt							Direct Current Volt			Electrical connection	Connectors
	12	24	48	110	220 230	240	380	12	24	48		
Series 2 Width 30 Code ②	20A	20B	20C	20D	20E	20F	20G	200	201	202	DIN 43650A	PG9 code 10349000

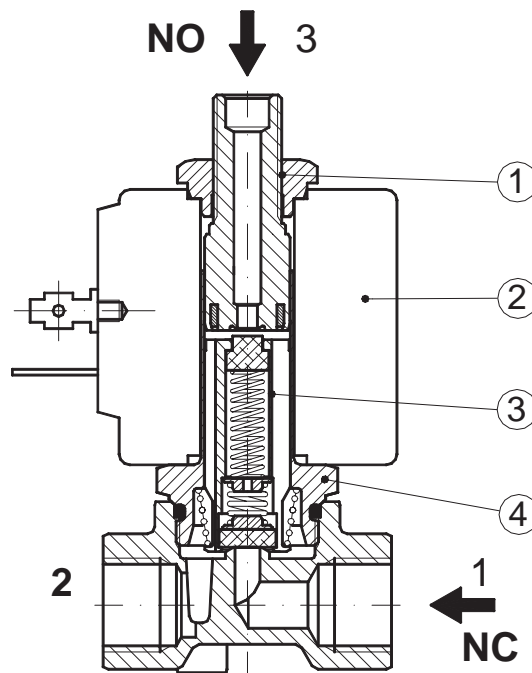
**DESCRIPTION**  
 Class F insulation  
 Voltage tolerance  
 AC +15% -10%  
 DC ± 10%  
 Protection class  
 IP65 with connector fitted  
 IP00 without connector  
 Continuous service ED100%

**OPTIONS**  
 Class H insulation  
 Cable attached  
 Special coil voltages  
 Special coil powers

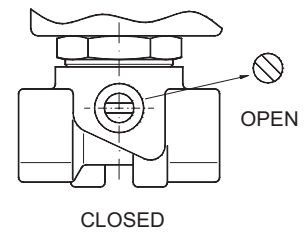


### SPARE PARTS LIST

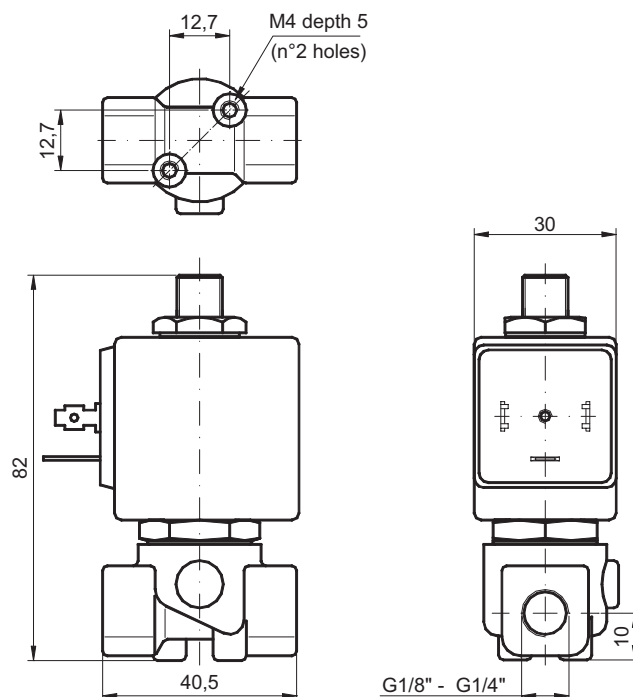
1. Coil fixing nut
2. Coil
3. Plunger
4. Armature tube with core



### MANUAL OVERRIDE



### OVERALL DIMENSION



Weight = 0.32 Kg