

PS71 – General Purpose Mini Pressure Switches

► .7 to 344 bar (10 to 5000 psi) formerly PS-EH series

These versatile general purpose switches with snap action microswitches can be used in a wide range of hydraulic and pneumatic applications. Their proven piston/diaphragm design offers outstanding accuracy over a very wide pressure range with an outstanding 9000 psi proof pressure. Their modular construction allows Gems to offer a large number of standard pressure fittings in two materials as well as numerous electrical ratings and terminations. Users can easily configure this model to meet their needs.

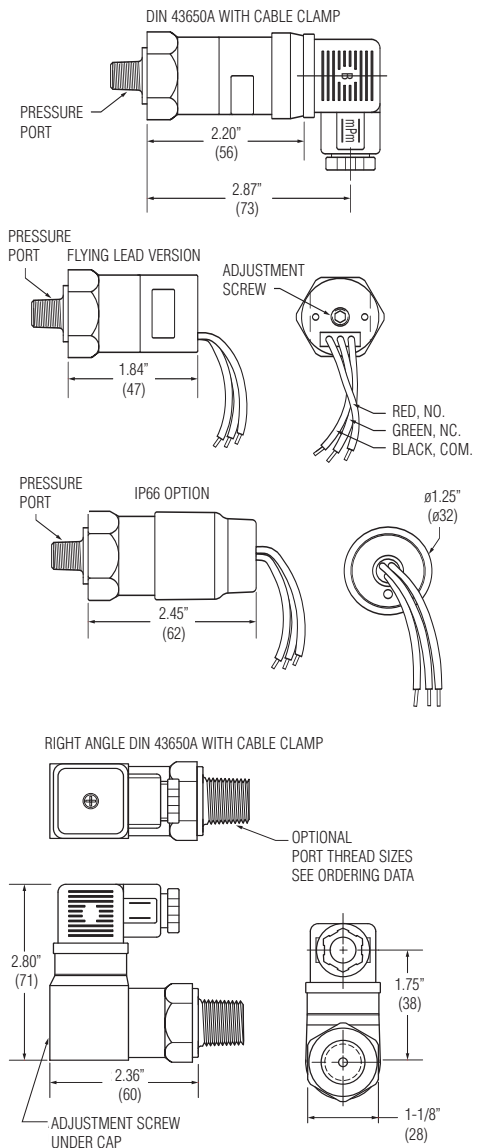
Specifications

Operating Temperature	-40°C to +80°C (-40°F to +180°F)
Switch*	5 Amp at 12/24Vdc and 125/250Vac (Optional 10 Amp or 1 Amp with Gold contacts)
Repeatability	±2% of Full Set Point Range @ 20°C (70°F)
Wetted Parts	
Diaphragm	Nitrile (optional EPDM, Viton® or Neoprene)
Fitting	Zinc Plated Steel (Optional 316 SS)
Electrical Termination	DIN 43650A IP65; Spade Terminals IP00; Flying Leads IP65; Conduit with Flying Leads IP00; IP option IP66
Proof Pressure	600 bar (9000 psi)
Approvals	CE, UL Approved units available
Weight, Approximate	0.15 kg (0.4 lbs.)

*Gold contacts (option G) may be required for less than 12Vdc and 20mA.
Viton® is a registered trademark of Dupont.



Dimensions



Pin 1	Common
Pin 2	Normally Closed
Pin 3	Normally Open



How to Order

Use the **Bold** characters from the chart below to construct a product code.

	PS71	10	4MNZ	C	H	XX	XXXX
PS71 Series _____							
Pressure Range Code _____							
Insert Pressure Range Code from table below							
Pressure Fitting¹ _____							
12L14 Zinc Plated Steel		316 Stainless Steel					
2MNZ 1/8" NPTM	2MGS 1/8" BSPM						
4MNZ 1/4" NPTM	4MNS 1/4" NPTM						
2MGZ 1/8" BSPM	4MGS 1/4" BSPM						
4MGZ 1/4" BSPM							
4MSZ 7/16"-20 SAE Male							
6MSZ 9/16"-18 SAE Male							
Circuit _____							
A SPST/NO; B SPST/NC; C SPDT							
Electrical Termination _____							
SP Spade Terminals ² FLXX Flying Leads ³							
FLSXX Flying Leads w/PVC Shrink Tubing ³							
ELXX 1/2" NPT Male Conduit w/Flying Leads ⁴ CABXX 18 AWG PVC Cable ⁵							
H DIN 43650A Male Half Only ⁶ HR Right Angle DIN 43650A Male Half Only ⁶							
HC DIN 43650A 9mm Cable Clamp ⁶							
HCR Right Angle DIN 43650A 9mm Cable Clamp ⁶							
HN DIN 43650A with 1/2" Female NPT Conduit ⁶							
HNR Right Angle DIN 43650A with 1/2" Female NPT Conduit ⁶							
HM Micro (9.4mm Spacing) DIN Style Male Half Only ⁶							
Options⁷ _____							
V Viton® Diaphragm E EPDM Diaphragm N Neoprene Diaphragm							
10A 10A @ 125/250 Vac Max. Rating							
G Gold Contacts (for loads less than 12mA @ 12Vdc)							
RD Reduced Differential (50% reduction typical); IP Ingress Protection ⁸							
OXY Oxygen Cleaned ⁹ R Restrictor (low damping coefficient) Brass							
SR Spiral Restrictor (high damping coefficient) 12L14 Steel w/Black Oxide Finish							
WF Weather Pack Connector, Female WM Weather Pack Connector, Male							
DE Deutsch Connector, Male, DT04 Series							
Fixed Set Point (optional)							
A. Specify set point FS (in BAR or PSI, see example) ¹⁰ _____							
B. Set Point Actuation _____							
R on Rising Pressure F on Falling Pressure							
Example: FS2BARF for 2 BAR Falling or FS20PSIR for 20 PSI Rising							

Notes:

- Other connectors available. Consult factory.
- Requires **10A** or **G** option.
- 18" is standard. Specify lead length in inches (max. 48"). e.g. **FL18** or **FLS30**.
- 18" is standard. Specify cable length in inches (max. 48"). e.g. **EL18** or **EL30**.
- 36" is minimum. Specify cable length in inches. e.g. **CAB36** or **CAB120**.
- DIN connectors require **C** SPDT circuit.
- Options **10A**, **G** or **RD** cannot be combined.
- Ingress Protection is available only with **FL**, **FLS** or **CAB** Electrical Termination choices. Ingress Protection requires Fixed Set Point **FS**.
- Requires stainless steel housing.
- Set Point must be within Pressure Range selected in Step 1 above.

Pressure Range Table

Pressure Range Code	Adjustment Ranges	Average Dead Band
10	0.7-2.1 bar (10-30 psi)	0.25-0.40 bar (4-6 psi)
20	1.7-5.2 bar (25-75 psi)	0.35-0.65 bar (5-10 psi)
30	4.5-20.7 bar (65-300 psi)	1.3-2.6 bar (20-40 psi)
40	17.2-69 bar (250-1000 psi)	2.6-5.7 bar (40-85 psi)
50	69-206.8 bar (1000-3000 psi)	8-15 bar (120-220 psi)
60	172.4-344.7 bar (2500-5000 psi)	21-35 bar (300-500 psi)

