



Sensata
Technologies



KLIXON | PS80

Automatic Reset Pressure Switches

LEADING THE WORLD IN SWITCH DESIGN

The PS80 is an automatic reset pressure switch designed to meet a broad spectrum of applications. It offers a wide range of pressure settings, port fittings, and electrical connections. The PS80 is available in quick connect or wire leaded construction and is manufactured globally at our ISO 9001 certified manufacturing facilities to ensure the quality you expect from Sensata Technologies.

Sensata Technologies has been a leading global supplier of pressure sensors & switches for over 50 years.

Features & Benefits

- Custom Engineered Solutions
- Hermetically Sealed Sensor
- Environmentally Sealed Leads
- Flexible Set Point Range
- Fixed Set Points
- Single Pole, Single Throw
- Normally Open/Normally Closed
- Historically Proven Reliability

Applications

- Air Conditioning (R410a, R22, R134a, R407c CO₂ (R333a), Ammonia (R717))
- Engine Oil
- Compressors & Pumps
- Process Controls
- Automation
- Agricultural & Construction Equipment
- Vehicle Controls

Technical Specifications

Operating Pressure

0 to 750 psig (50 bar)

Proof Pressure**

Set Point	Proof Pressure
<100psig	250psig (17 Bar)
100-500psig	600psig (41 bar)
>500psig	800psig (55 bar)

Burst Pressure

5000 psig (345 bar)

Life at Rated Current

100,000 cycles

Electrical Ratings

120/240 Vac - 6.0 FLA 36 LRA
120/277 Vac -375 VA Pilot Duty
24Vac - 125 VA Pilot Duty

**The highest pressure a switch can be exposed to without influencing the set-point.

Dielectric Strength

750 Vrms Open Contacts
1550 Vrms Terminals to Fitting (Ground)

Lead Wire Material/Electrical Connection

#18 AWG 600 V 125°C 1/32" XLP UL 3173
#18 AWG 600 V 125°C 1/16" XLP UL 3290
Quick Connects
Various AMP and Packard Connectors

Ambient Temperature (UL Rating)

-20°F to 176°F / (-29°C to 80°C)

Fluid Temperature (UL Rating)

-65°F to 275°F (-54°C to 135°C)

Agency Recognitions

UL File SA995 Guide SDFY2
UL (Canada) File SA995 Guide SDFY8
PED EN 12263 Module B&D
ENEC, EN60730 EN60730-1, EN60730-2-6
RoHS Compliancy Available

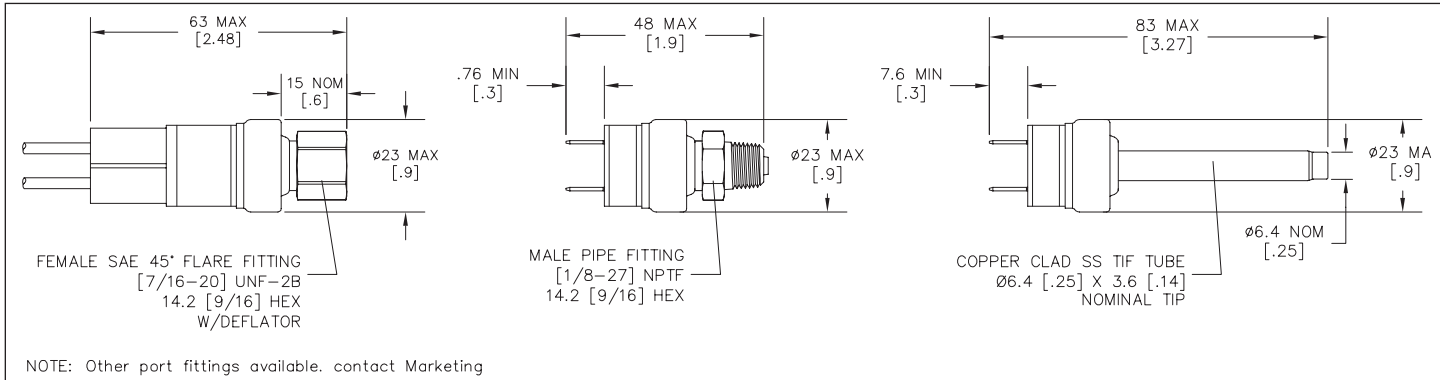
Note: Leaded devices can be exposed to moisture not for use while immersed

Klixon® is a registered trademark of Sensata Technologies

Stig Wahlström AB

Box 64 · 123 22 Farsta · Fax 08-605 81 74 · Tel 08-683 33 00
E-post: mailbox@wahlstrom.se Webbplats: www.wahlstrom.se

Typical Physical Characteristics (Additional configurations are available. Contact Sensata.)



Sample Request Data Form

Company Name and Address _____

Contact _____

Phone _____ Fax _____ Email _____

Description of Application _____

Exact Function of Switch in System _____

Cut In Pressure _____ Tolerance _____ Cut Out Pressure _____ Tolerance _____

Pressure Port Fitting _____ Switch Termination _____

Wire Lead termination (e.g., 1/2 inch strip, 1/4 inch female Q.C., etc.) _____

Sustained System Pressure _____ Peak System Pressure _____

Switch Logic (Contacts to open/close on Pressure Rise) _____

Volts (AC/DC) _____ Amps _____ Inductive/Resistive _____

Cycle Life Requirement _____ Operating Temperature _____

Allowable Drift Over Temperature/Life _____

Switch Environment (Protected/Unprotected) _____

Agency Approvals (UL, VDE, TUV, ?) _____ Estimated Annual Volume _____



The World Depends on Sensors and Controls



Box 64, 123 22 Farsta
 Fax: 08 605 81 74, Tel: 08 683 33 00
 E-post: mailbox@wahlstrom.se
 Webbplats: www.wahlstrom.se